

Onboard Weighing Systems

C-40 Cockpit Indicator

- ▶ Includes an “Hours of External Load” meter to keep track of time against the external load Time Between Overhauls (TBO) schedule.
- ▶ Digital RS-232 and analog output interfaces with Automatic Flight Following (AFF) equipment for contracts requiring location and weight reporting.
- ▶ Download firmware upgrades from our website onto a thumb drive and install.
- ▶ Can be configured to enable aircraft-specific performance increases, such as the extra main rotor RPM capabilities provided through the Airbus vehicle and engine multifunction display (VEMD).



The analog bar on the left of the screen gives the pilot a way to quickly view the total weight on the hook.

Multiple ports allow the C-40 to interface with a wide variety of equipment. Firmware updates can be installed using a thumb drive.



The cockpit indicator is a key component of your helicopter’s Onboard Weighing System, displaying the weight of the cargo hook load to the pilot during external load missions. Onboard’s latest generation C-40 model has been designed from the ground up to incorporate the most-requested features to measure and display cargo weight.

The C-40 sports a dual digital and analog display to help pilots quickly recognize the weight of their load. It features hook TBO tracking and can interface with third-party AFF equipment for contracts requiring location and weight reporting. Best of all, the C-40 uses the same electrical connector and mounting location as its predecessor, the C-39, making the upgrade a straightforward drop-in replacement.

Maximum load input can be adjusted as part of your daily weight-and-balance calculation process. The intuitive interface lets you quickly turn a knob to scroll through the settings options, while the lanview LCD screen provides better visibility in sunlight. Factory-adjustable

zero and span options are also available; contact your sales representative to discuss your requirements.

The C-40 Cockpit Indicator is now being rolled out to a wide variety of cargo hook kits and aircraft. Please visit our website for the most [current chart of products offering the C-40](#). While you are there, you can look over our [photo gallery of screen settings](#) to preview the C-40’s user-adjustable screens and the functionality they provide. You can also learn more about [upgrading your aircraft’s existing Onboard Weighing System from a C-39 indicator to a C-40](#), as well as how to [upgrade the firmware on your C-40](#) whenever new versions are released.

**FOR MORE
INFORMATION**

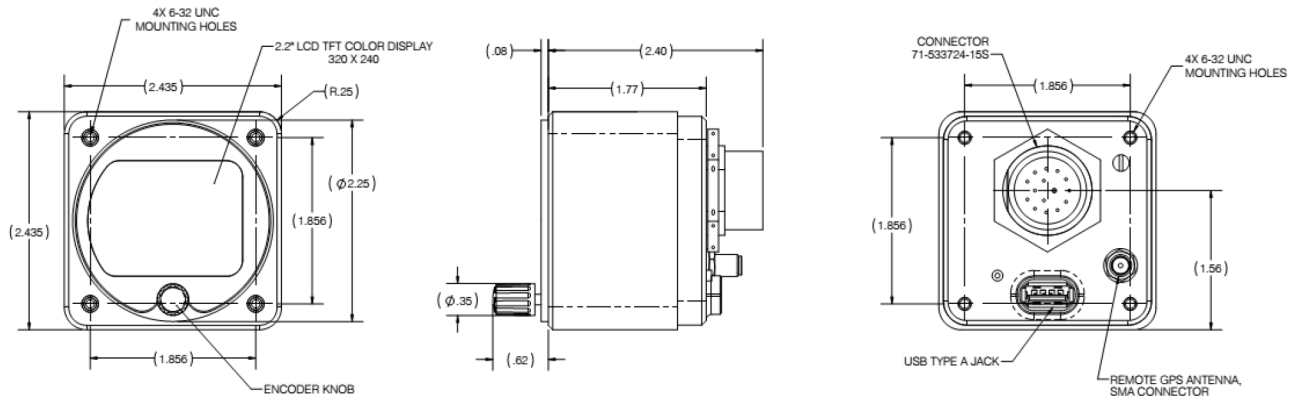
US & Canada:
1.800.275.0883

Worldwide:
+1.360.546.3072

e-mail:
sales@onboardsystems.com

Web:
www.onboardsystems.com

C-40 Cockpit Indicator Dimensions



Specifications

Description	Specification
Part Number	210-293-00 C-40 Cockpit Indicator
Unit Weight	.47 lb. (.21 kg)
Electrical Requirements	21-31 VDC

To Learn More

Onboard Systems International, LLC is a leading provider of innovative helicopter cargo hook equipment and onboard weighing systems.

Corporate Headquarters:

13915 NW 3rd Court
 Vancouver, WA 98685
 Tel: +1.800.275.0883 from the US & Canada
 +1.360.546.3072 from anywhere
 Fax: +1.360.546.3073
 sales@onboardsystems.com

